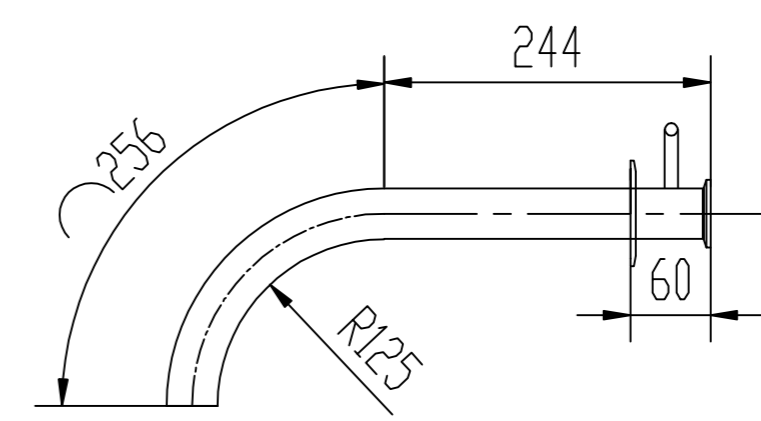


Technique parameter		
	inner tank	jacket
material	304	304
working pressure MPa	0.15	0.3
design pressure MPa	0.15	0.3
tatal volume	960L	
working volume	800L	



man hole



Specification

symbol	spec	connecting style	name
a	1.5"	Tri-clamp	outlet
b	1.5"	Tri-clamp	outlet
c	1.5"	Tri-clamp	Relief valve
d	2.5"-1.5"	Tri-clamp	cleaning hole
e	ø430x330	quick-opened	man hole
f	1.5"	Tri-clamp	Thermometer
g	1.5"	Tri-clamp	sample hole
i1-2	1.5"	Tri-clamp	Glycol inlet
j1-2	1.5"	Tri-clamp	Glycol outlet
M	1.5"	Tri-clamp	CO2 Connection
h	4"	Tri-clamp	Hop port

